

## Stainless Steel Column Protector (column fixed/ surface mounted or potted)

This stainless steel column protector is one of our most popular and innovative products. Suitable for both internal and external use, this low-level modular stainless steel rail combines elegance with durability.

It offers robust protection for a variety of columns diameters and has the added benefit of being aesthetically pleasing yet functional. The modular nature of the product allows for easy planning and installation and it can be adapted to the most challenging assignments

As well as being available as floor fixed low level protection with feet or potted into the ground, it is also possible to fit this stainless steel rail to columns, at any height which makes it extremely versatile.

Standard and optional features;

**Design:**

- Surface fixed or potted support foot or column fixed
- A fully modular system
- 50mm diameter 304 grade stainless steel tube

**Order Information**

Can be provided as supply only or installed via our Installation Team

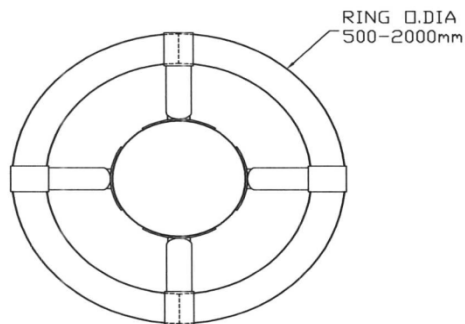
Column Fixed



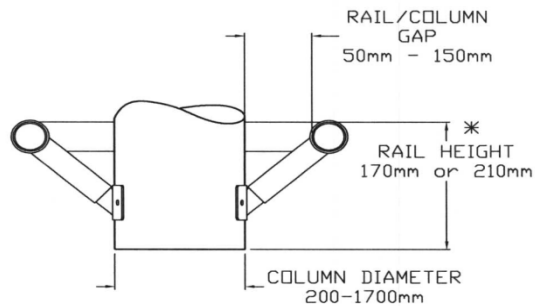
Surface Mounted



Column Fixed



PLAN VIEW



SIDE ELEVATION